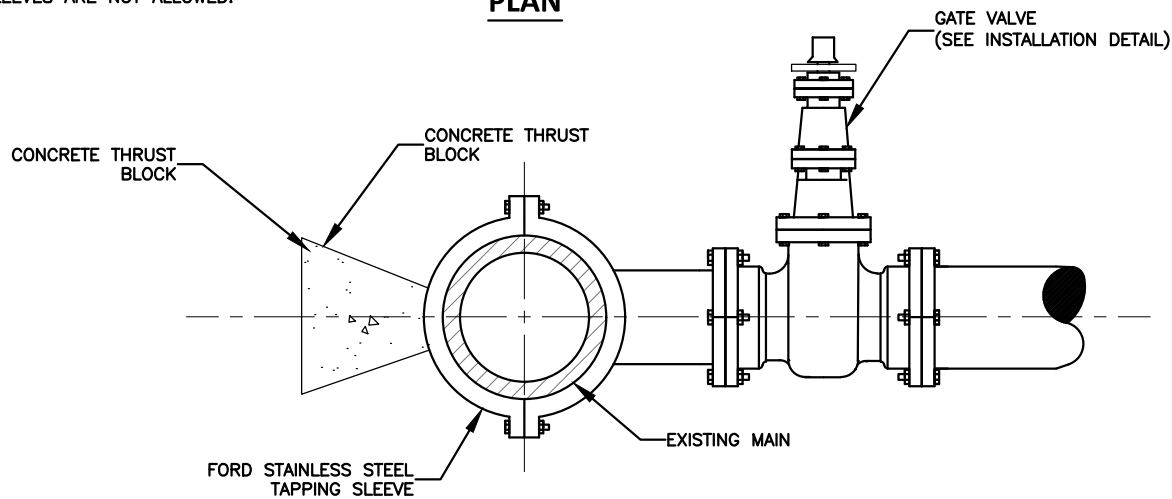


**PLAN**

**NOTE:**

12" X 12" AND 16" X 16" TAPPING SLEEVES ARE NOT ALLOWED.



**ELEVATION**

**NOTE:**

12" X 12" AND 16" X 16" TAPPING SLEEVES ARE NOT ALLOWED.

TABLE A-1

TBD

**NOTE:**

1. CONCRETE SHALL BE 3000 PSI.
2. CONCRETE SHALL NOT CONTACT BOLTS OR ENDS OF MECHANICAL JOINT FITTINGS BY THE INSTALLATION OF POLYETHYLENE FILM PLACED BETWEEN THE FITTINGS AND Poured CONCRETE.
3. SEE TABLE A-1 FOR AREA OF CONCRETE REQUIRED FOR MAIN SIZED 6-INCH THROUGH 16-INCH.

**DATE: 01/12/2019**

WD DWG. NO. 6

**SCALE: NOT TO SCALE**

City of Hendersonville Engineering Department  
 305 Williams Street  
 Hendersonville, NC 28792  
 (828) 697-3000 (office)

[www.cityofhendersonville.org](http://www.cityofhendersonville.org)

**STANDARD TAPPING SLEEVE  
 AND VALVE ASSEMBLY**

