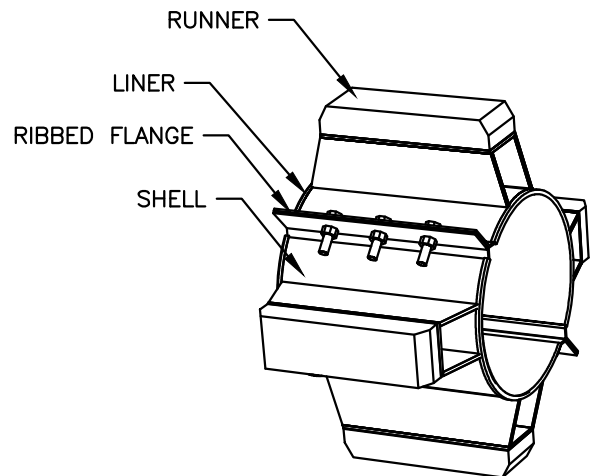


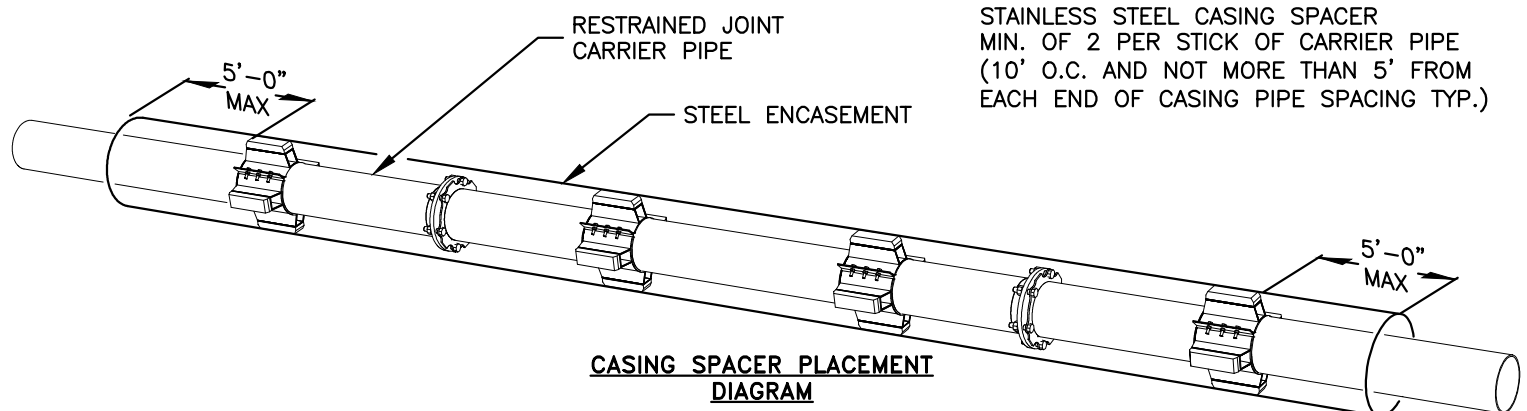
NOTES:

1. RESTRAINED POSITIONING TO BE USED AT ALL TIMES.
2. CARRIER PIPE JOINTS SHALL BE MECHANICALLY RESTRAINED, DUCTILE IRON OR C900 PVC ONLY.
3. STAINLESS STEEL CASING SPACERS SHALL BE STYLE CCS AS MANUFACTURED BY CASCADE WATERWORKS MFG. CO. OF YORKVILLE, IL OR ENGINEER APPROVED EQUIVALENT.
4. CASING END SEAL SHALL BE STYLE CCES AS MANUFACTURED BY CASCADE WATERWORKS MFG. CO. OF YORKVILLE, IL OR ENGINEER APPROVED EQUIVALENT.



STAINLESS STEEL CASING SPACER

STAINLESS STEEL CASING SPACER MIN. OF 2 PER STICK OF CARRIER PIPE (10' O.C. AND NOT MORE THAN 5' FROM EACH END OF CASING PIPE SPACING TYP.)



DATE: 10/19/2023 SS-D DWG. NO. 14

SCALE: NOT TO SCALE

City of Hendersonville Engineering Department
305 Williams Street
Hendersonville, NC 28792
(828) 697-3000 (office)

www.cityofhendersonville.org

**PIPE BORING
AND
ENCASEMENT**

